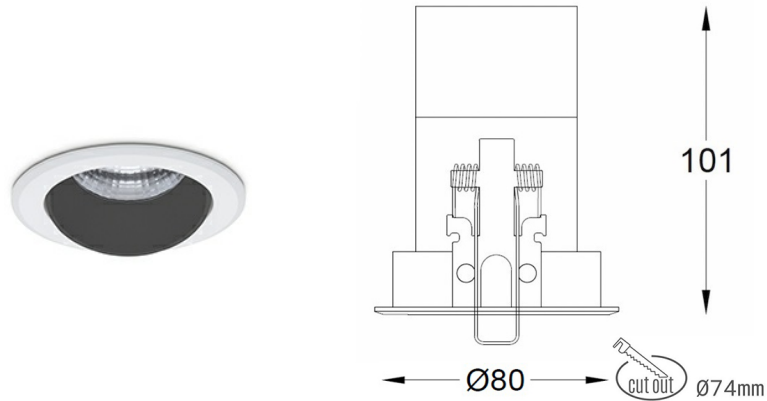


DOWNLIGHT HEKTOR 2 MICRO 827 13W 40° WHITE | ON/OFF

Article number: N220-K0003-RF827-H7-140-ZC01_350-A2-###



LED	COB
Light colour	2700 [K]
CRI	80
Led chip flux	1886 [lm]
Luminous flux	1508 [lm]
System power	13 [W]
Luminaire Efficiency	116 [lm/W]
Beam angle	40°
Controller	ON/OFF
MacAdam	3 SDCM

Downlight LED

LED downlight for drop ceiling installation. Aluminium housing. Glass cover included. Available in white, black and grey. Any RAL palette colour available on enquiry. Housing enables adjustment in two axis planes. Reflector beams available: 18°, 28° and 40°. Maximum power is 14W.

LUMINAIRE

Weight	0,4 [kg]
Protection rating IP , IK , class	IP 20, IK 3,
Luminaire colour	WHITE
Cover	Plastic
Operating voltage	220-240V 50-60Hz

Note: All data are typical values. Tolerance of measurements +/-10% System features may change with product improvements due to technical advances.

OPTIONS

RAL colours on inquiry, honeycomb louver on inquiry , Casambi on inquiry, DALI on inquiry, Phase-cut dimming on inquiry.



Generated: 16.07.2024



+48 32 388 80 00



www.cora.pl
cora@cora.pl



Street: Ignatza Hakuby 18
41-914 Bytom, Polska