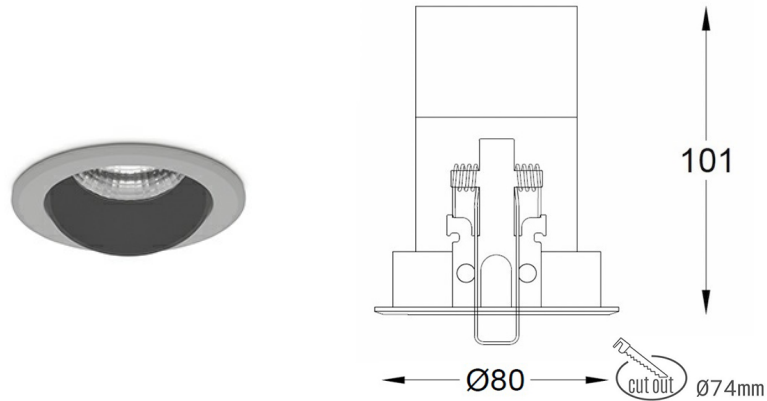


DOWNLIGHT HEKTOR 2 MICRO 935 14W 18° GREY HI EFFICIENT ON/OFF

Article number: N220-K0001-BB935-H7-118-ZC01_350-A2-###



| | |
|----------------------|-----------------------|
| LED | COB |
| Light colour | 3500 [K] HI EFFICIENT |
| CRI | 90 |
| Led chip flux | 2174 [lm] |
| Luminous flux | 1739 [lm] |
| System power | 14 [W] |
| Luminaire Efficiency | 124 [lm/W] |
| Beam angle | 18° |
| Controller | ON/OFF |
| MacAdam | 3 SDCM |

Downlight LED

LED downlight for drop ceiling installation. Aluminium housing. Glass cover included. Available in white, black and grey. Any RAL palette colour available on enquiry. Housing enables adjustment in two axis planes. Reflector beams available: 18°, 28° and 40°. Maximum power is 14W.

LUMINAIRE

| | |
|-----------------------------------|------------------|
| Weight | 0,4 [kg] |
| Protection rating IP , IK , class | IP 20, IK 3, |
| Luminaire colour | GREY |
| Cover | Plastic |
| Operating voltage | 220-240V 50-60Hz |

Note: All data are typical values. Tolerance of measurements +/-10% System features may change with product improvements due to technical advances.

OPTIONS

RAL colours on inquiry, honeycomb louver on inquiry , Casambi on inquiry, DALI on inquiry, Phase-cut dimming on inquiry.



Generated: 16.07.2024



+48 32 388 80 00



www.cora.pl
cora@cora.pl



Street: Ignatza Hakuby 18
41-914 Bytom, Polska