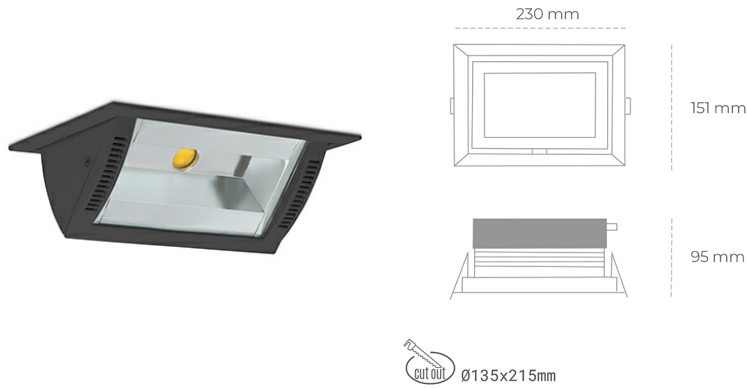


DOWNLIGHT MONTANA 2 930 20W 90°x50° BLACK PREMIUM COLOR ON/OFF

Article number: N217-K0002-PC930-HA-###-ZC01_500-##-###



LED	COB
Light colour	3000 [K] PREMIUM COLOR
CRI	90
Led chip flux	2200 [lm]
Luminous flux	1760 [lm]
System power	20 [W]
Luminaire Efficiency	88 [lm/W]
Beam angle	36°
Controller	ON/OFF
MacAdam	3 SDCM

Downlight LED

Wall-washer LED downlight for drop ceiling installation. Aluminium housing. Glass cover included. Available in white, black and grey. Any RAL palette colour available on enquiry. Maximum power is 37W.

LUMINAIRE

Weight	1,258 [kg]
Protection rating IP , IK , class	IP 20, IK 3,
Luminaire colour	BLACK
Cover	Glass
Operating voltage	220-240V 50-60Hz

Note: All data are typical values. Tolerance of measurements +/-10% System features may change with product improvements due to technical advances.

OPTIONS

RAL colours on inquiry, Casambi on inquiry, DALI on inquiry, Phase-cut dimming on inquiry.



Generated: 29.06.2024



+48 32 388 80 00



www.cora.pl
cora@cora.pl



Street: Ignatza Hakuby 18
41-914 Bytom, Polska