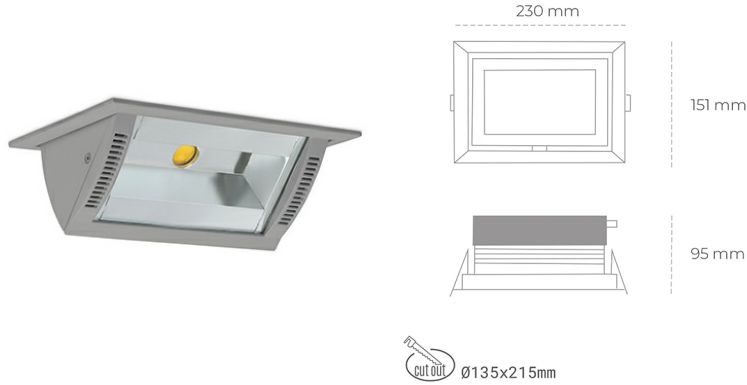


MONTANA 2 FAMILY

Article number: N217-K0001-RF827-H8--_250-##-###



LED	COB
Light colour	2700 [K]
CRI	80
Led chip flux	895-5811 [lm]
Luminous flux	#ARG! [lm]
System power	10-37 [W]
Luminaire Efficiency	72-151 [lm/W]
Beam angle	ON/OFF
Controller	3 SDCM
MacAdam	

Downlight LED

Wall-washer LED downlight for drop ceiling installation. Aluminium housing. Glass cover included. Available in white, black and grey. Any RAL palette colour available on enquiry. Maximum power is 37W.

LUMINAIRE

Weight	1,258 [kg]
Protection rating IP , IK , class	IP 20, IK 3,
Luminaire colour	GREY
Cover	Glass
Operating voltage	220-240V 50-60Hz

Note: All data are typical values. Tolerance of measurements +/-10% System features may change with product improvements due to technical advances.

OPTIONS

RAL colours on inquiry, Casambi on inquiry, DALI on inquiry, Phase-cut dimming on inquiry.



Generated: 14.08.2024



+48 32 388 80 00



www.cora.pl
cora@cora.pl



Street: Ignatza Hakuby 18
41-914 Bytom, Polska