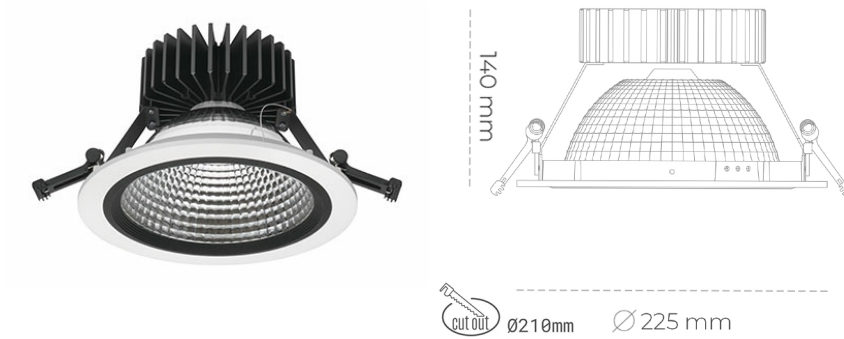


# DOWNLIGHT SHERIFF Z 930 27W 55° WHITE PREMIUM WHITE ON/OFF

Article number: N206-K0003-HE930-HA-###-ZC02\_700-##-###



LED	COB
Light colour	3000 [K] PREMIUM WHITE
CRI	90
Led chip flux	3911 [lm]
Luminous flux	3128 [lm]
System power	27 [W]
Luminaire Efficiency	116 [lm/W]
Beam angle	ON/OFF
Controller	3 SDCM
MacAdam	

### Downlight LED

LED downlight for drop ceiling installation. Aluminium housing. Glass cover included. Available in white, black and grey. Any RAL palette colour available on enquiry. Reflector beam available: 55°. Maximum power is 37W.

### LUMINAIRE

Weight	1,23 [kg]
Protection rating IP , IK , class	IP 20, IK 3,
Luminaire colour	Glass
Cover	220-240V 50-60Hz
Operating voltage	

Note: All data are typical values. Tolerance of measurements +/-10% System features may change with product improvements due to technical advances.

### OPTIONS

RAL colours on enquiry, Casambi on enquiry, DALI on enquiry, Phase-cut dimming on enquiry.



Generated: 17.09.2024



+48 32 388 80 00



www.cora.pl  
cora@cora.pl



Street: Ignatza Hakuby 18  
41-914 Bytom, Polska