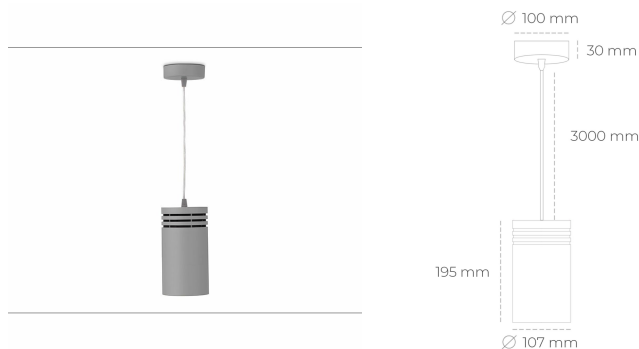


DOWNLIGHT LIDER Z 825 25W 15° GREY BREAD ON/OFF

Article number: N202-K0001-VF825-H5-G15-ZA02_650-S1-###



LED	COB
Light colour	2500 [K] BREAD
CRI	80
Led chip flux	3042 [lm]
Luminous flux	2737 [lm]
System power	25 [W]
Luminaire Efficiency	109 [lm/W]
Beam angle	15°
Controller	ON/OFF
MacAdam	3 SDCM

Downlight LED

Suspended LED downlight. Aluminium housing. Plastic cover included. Available in white, black and grey. Any RAL palette colour available on enquiry. Power cord - 300cm. Reflector beams available: 15°, 23° 38°, 34° and 60°. Maximum power is 31W.

LUMINAIRE

Weight	1.17 [kg]
Protection rating IP , IK , class	IP 20, IK 1,
Luminaire colour	GREY
Cover	Plastic
Operating voltage	220-240V 50-60Hz

Note: All data are typical values. Tolerance of measurements +/-10%
System features may change with product improvements due to technical advances.

OPTIONS

RAL colours on inquiry, honeycomb louver on inquiry , Casambi on inquiry, DALI on inquiry, Phase-cut dimming on inquiry.



Generated: 21.09.2024



+48 32 388 80 00



www.cora.pl

cora@cora.pl



Street: Ignatza Hakuby 18

41-914 Bytom, Polska