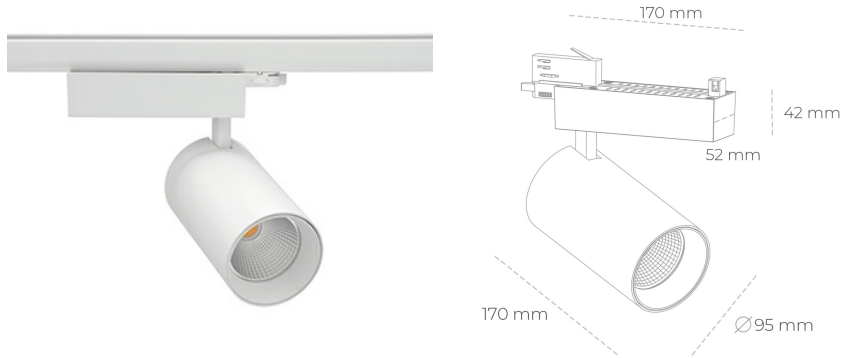


## SPOTLIGHT SNIPER N 825 19W 15° WHITE BREAD ON/OFF

Article number: N015-K0003-VF825-H7-N15-ZA01\_500-S4-###



LED	COB
Light colour	2500 [K] BREAD
CRI	80
Led chip flux	2340 [lm]
Luminous flux	1872 [lm]
System power	19 [W]
Luminaire Efficiency	[lm/W]
Beam angle	15°
Controller	ON/OFF
MacAdam	3 SDCM

### Spotlight LED

Track mounted LED spotlight. Aluminium housing. Ceiling base installation possible. Available in white, black and grey. Any RAL palette colour available on enquiry. Reflector beams available: 15° 30° and 45° . Maximum power is 30W

### LUMINAIRE

Weight	1,33 [kg]
Protection rating IP , IK , class	IP 20, IK 3,
Luminaire colour	Glass
Cover	220-240V 50-60Hz
Operating voltage	

Note: All data are typical values. Tolerance of measurements +/-10% System features may change with product improvements due to technical advances.

### OPTIONS

RAL colours on inquiry, honeycomb louver on inquiry , Casambi on inquiry, DALI on inquiry, Phase-cut dimming on inquiry.



Generated: 17.09.2024



+48 32 388 80 00



www.cora.pl  
cora@cora.pl



Street: Ignatza Hakuby 18  
41-914 Bytom, Polska